

PeopleCounter Pro Door

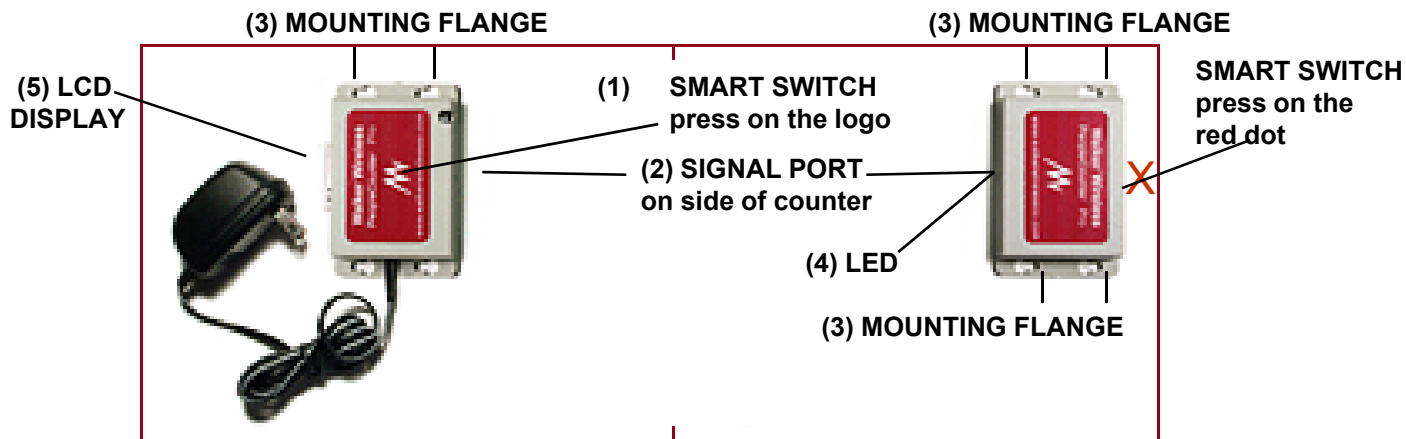
Installation Instructions

Part # = 3002-35

THE PEOPLECOUNTER PRO PROJECTS AN INVISIBLE BEAM UP TO 50 FEET ACROSS THE AREA YOU WISH TO BE COUNTED.

CONTROLS AND FUNCTIONS

- (1) **SMART SWITCH** – PERFORMS COUNTER FUNCTIONS WHEN DEPRESSED
- (2) **SIGNAL PORT** – MUST BE FACING EACH OTHER TO CREATE BEAM
- (3) **MOUNTING FLANGE** – SECURES COUNTER TO SURFACE
- (4) **RECEIVER COUNTER LED** – BLINKS WHEN IN ALIGNMENT
- (5) **LCD DISPLAY**



THE COUNTERS ARE SHIPPED IN THE INACTIVE MODE TO CONSERVE BACKUP BATTERY LIFE AND ELIMINATE SIGNAL DURING SHIPMENT. ALL FUNCTIONS ARE EASILY CONTROLLED BY CAREFULLY DEPRESSING THE SMART SWITCH (1).

RECEIVER COUNTER INACTIVE MODE IS RECOGNIZED BY THE ADVANCEMENT OF ONE COUNT PER SECOND ON THE LCD DISPLAY. TO ACTIVATE THE RECEIVER COUNTER, DEPRESS AND HOLD (APPROXIMATELY 4-5 SECONDS) THE SMART SWITCH (1) UNTIL ZERO APPEARS ON THE LCD DISPLAY, THEN QUICKLY RELEASE.

TRANSMITTER COUNTER INACTIVE MODE IS RECOGNIZED BY THE BLINKING OF THE LED WHEN SMART SWITCH IS PRESSED AND QUICKLY RELEASED. TO ACTIVATE THE TRANSMITTER COUNTER, PUSH DOWN ON THE TOP OF THE CASE AS INDICATED BY THE RED X IN THE PICTURE ABOVE. THE LED WILL BRIGHTEN AND THEN GO OUT. RELEASE THE SMART SWITCH (1) QUICKLY WHEN THE LED GOES OUT.

TO RETURN EITHER COUNTER TO INACTIVE MODE (FOR SHIPPING, MOVING, ETC.) PRESS AND HOLD THE SMART SWITCH (1) FOR 15 SECONDS. CHECK THAT BOTH COUNTERS ARE INACTIVE.

PeopleCounter Pro

Installation Instructions

Part # = 3002-35

FOR PRELIMINARY PROOF OF OPERATION, PLACE THE COUNTERS ON A TABLE-TOP SEVERAL FEET APART AND INTERRUPT THE INVISIBLE BEAM WITH YOUR HAND. IF THE RECEIVER COUNTER LED (4) BLINKS AND THE LCD TALLIES, IT IS WORKING.

FOR INSTALLATION, THE COUNTERS SHOULD BE PLACED FACING EACH OTHER, WITH NO BEAMPATH OBSTRUCTIONS, APPROXIMATELY 35 INCHES HIGH FOR COUNTING BOTH ADULTS AND CHILDREN, AND 55 INCHES HIGH FOR COUNTING ADULTS ONLY.

INSTALL THE TRANSMITTER COUNTER FIRST, USING THE MOUNTING FLANGE (3). BEFORE PERMANENT INSTALLATION OF THE RECEIVER COUNTER, POSITION IT ON THE WALL OPPOSITE THE TRANSMITTER COUNTER AND PERFORM THE BLINK TEST AGAIN, AS STATED ABOVE. IF THE TEST IS SUCCESSFUL, PROCEED TO PERMANENT INSTALLATION.

TO RESET THE LCD DISPLAY TO ZERO, DEPRESS AND HOLD THE SMART SWITCH (1) UNTIL ZERO APPEARS ON THE LCD DISPLAY.

DON'T FORGET TO APPLY AC POWER.

BATTERY REPLACEMENT

THE PEOPLECOUNTER PRO IS DESIGNED TO OPERATE FROM AC POWER. THE BATTERIES ARE IN PLACE TO PROVIDE BACK-UP POWER DURING TEMPORARY LOSS OF AC POWER. THE PEOPLE COUNTER PRO IS NOT DESIGNED FOR LONG TERM OPERATION ON BATTERY POWER. TO REPLACE THE BATTERIES IN EITHER COUNTER, HOLD THE SIDES OF COVERS AND SQUEEZE TO RELEASE THE COVERS. REMOVE ALL COVERS FROM THE BACKPLATE, REMOVE THE OLD BATTERIES, AND REPLACE WITH NEW 3.6 VOLT AA LITHIUM BATTERIES. **DO NOT ATTEMPT TO REPLACE WITH 1.5 VOLT AA BATTERIES.**

INACTIVE MODE

SHOULD YOU EVER NEED TO PLACE THE COUNTER RECEIVER IN THE INACTIVE MODE, DEPRESS THE SMART SWITCH (1) FOR MORE THAN TEN SECONDS.